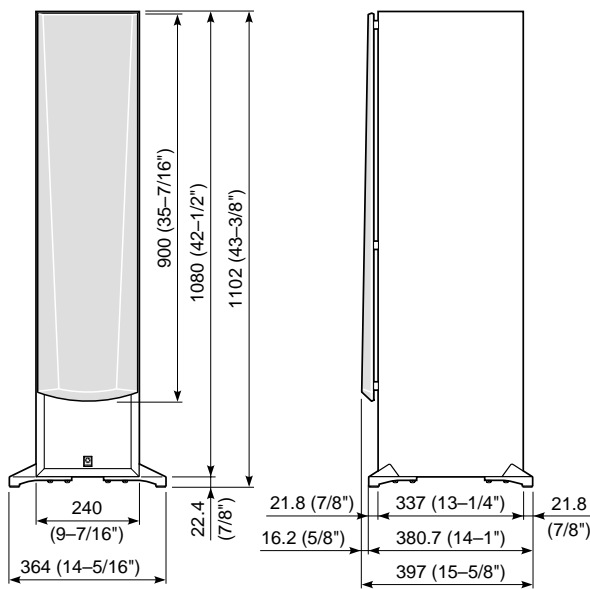


SPEAKER SYSTEM NS-8HX

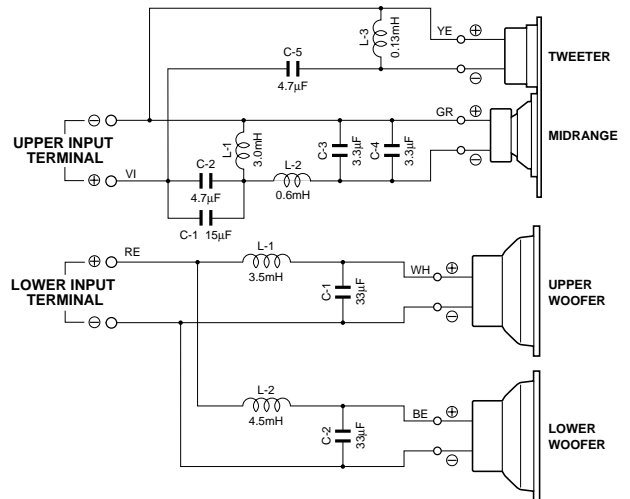
SERVICE MANUAL

■ DIMENSIONS



Unit : mm (inch)

■ NETWORK CIRCUIT DIAGRAM



■ SPECIFICATIONS

Type	3-way 4-speaker bass reflex speaker system
	Magnetic shielding type
Driver	20 cm (8") cone woofer x 2
	Wave guide horn 13 cm (5") cone mid-range
	Wave guide horn 3 cm (1") dome tweeter
Impedance	6 ohms
Frequency Response	35 Hz to 50 kHz
Nominal Input	140 W
Maximum Input	400 W
Sensitivity	92 dB/2.83 V/m
Crossover Frequency	600Hz, 4 kHz
Input Terminal	Screw/banana Bi-wiring type
Dimensions (W X H X D)	364 x 1102 x 397 mm
	(14-5/16" x 43-3/8" x 15-5/8")
Weight	32.5 kg (71 lbs. 11 oz)
Accessories	Spike x 4
	Nut x 4

* Specifications subject to change without notice.

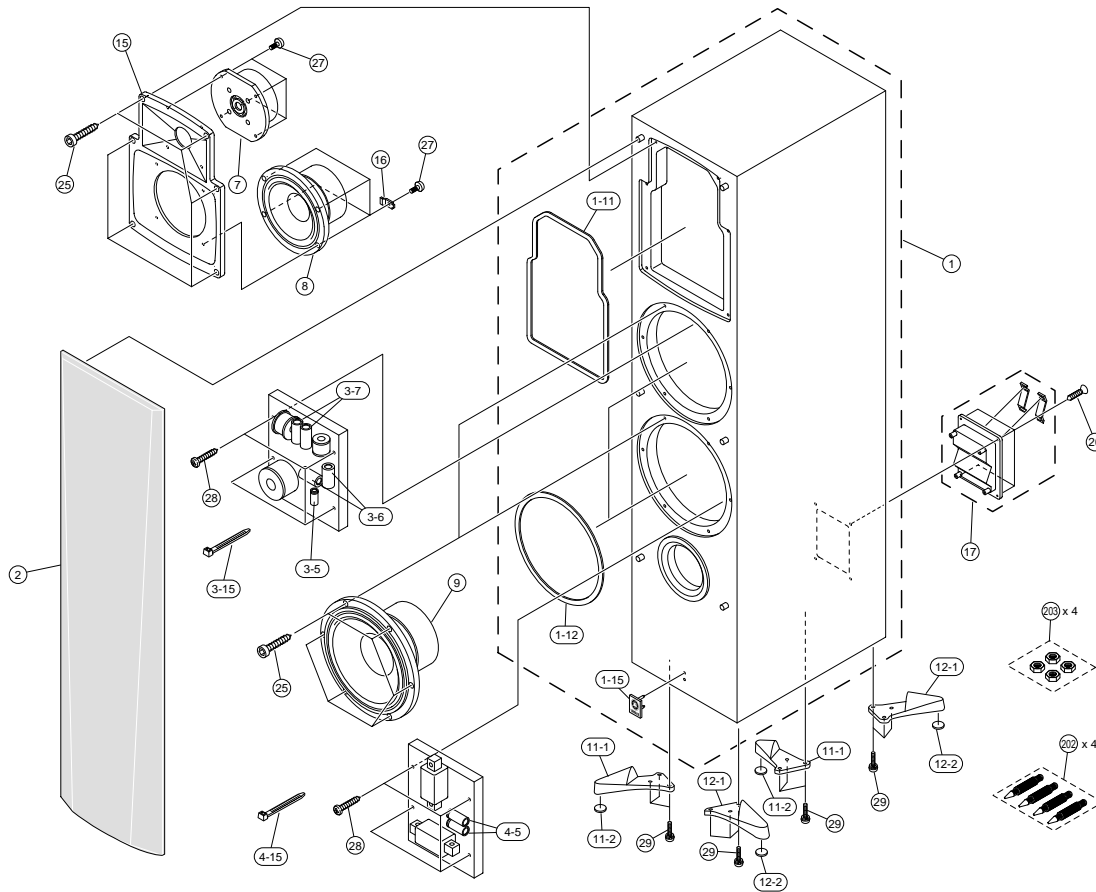


このサービスマニュアルは、エコマーク認定の再生紙を使用しています。
This Service Manual uses recycled paper.



NS-8HX

■ EXPLODED VIEW



Ref. No.	PART NO.	Description	Remarks	Markets
* 1	V7896700	CABINET ASS'Y	CH	
* 1-11	V7900000	PACKING		
* 1-12	V7900100	PACKING		
* 1-15	V2192200	EMBLEM	YAMAHA	
* 2	V7897600	FRONT GRILLE ASS'Y		
* 3-5	V7914100	ELECTROLYTIC CAP	15uF 100V	
* 3-6	V7918400	POLYPROPYLENE FILM CAP	4.7uF 250V	
* 3-7	V7918500	POLYPROPYLENE FILM CAP	3.3uF 250V	
* 3-15	V7918700	BINDING TIE	T40I TITON	
* 4-5	V7914200	ELECTROLYTIC CAP	33uF 100V	
* 4-15	V7918700	BINDING TIE	T40I TITON	
* 7	X0310A00	DRIVER, TWEETER	2.5cm 6 50W	JA05V8
* 8	X0309A00	DRIVER, MID RANGE	13cm 6 50W	JA1368
* 9	X0304A00	DRIVER, WOOFER	20cm 12 50W	JA2020
* 11-1	V7706800	STAND/L		
* 11-2	V7902200	PAD		
* 12-1	V7706700	STAND/R		
* 12-2	V7902200	PAD		
* 15	V7706600	ACOUSTIC GUIDE		
* 16	V7707100	ATTACHMENT		
* 17	V7902000	SPEAKER TERMINAL	TST-S85J	
* 25	V7902100	HEXAGON SOCKET TAPPING SCREW	5x30 MFN133	
* 26	V5537900	OVAL HEAD TAPPING SCREW #1	3.5x16 MFZN2BL	
* 27	VA221600	BIND HEAD SCREW	4x10 MFZN2BL	
* 28	V7978600	BIND HEAD TAPPING SCREW	4x40 MFZN2BL	
* 29	VP158800	PAN HEAD SCREW	6x25 SW MFZN2BL	
* 202	V7845400	ACCESSORIES SPIKE	M6.0 1pc	
* 203	V2450400	ACCESSORIES HEXAGONAL NUT	6.0 MFZN2BL	

* New Parts